

TJ Series

CONSTANT
TORQUE
INSERT

REELLTORQ®

Stocker's TJ Series insert is designed to be over-molded with plastic to add the feature of constant torque to your product. This insert is designed to provide a smooth feel of quality and consistent torques of 13.28 - 30.98 lb-in (1.50 - 3.50 N-m) are available to meet many of your needs.

Applications

- Office Equipment
- Medical Cabinets
- Computer Peripherals
- Access Panels
- Industrial Enclosures
- Equipment Guards
- Store Fixtures



Design Characteristics

● **Insert Functions**

The TJ Series insert is designed to provide constant torque throughout its full range of motion. It is ideally suited to applications requiring the ability to hold an object at various positions.

● **Performance**

- Torque tolerance $\pm 10\%$ of nominal in counterclockwise direction (60% of nominal in the clockwise direction $\pm 10\%$)
- Springback typically $< 1^\circ$ each direction
- Life of 10,000 cycles
- Ambient temperature range from -30°C (-22°F) to 60°C (140°F)

TJ Series

CONSTANT TORQUE INSERT

Torque

13.28; 17.70; 22.13; 26.55; 30.98 lb-in
1.50; 2.00; 2.50; 3.00; 3.50 N-m

Finish

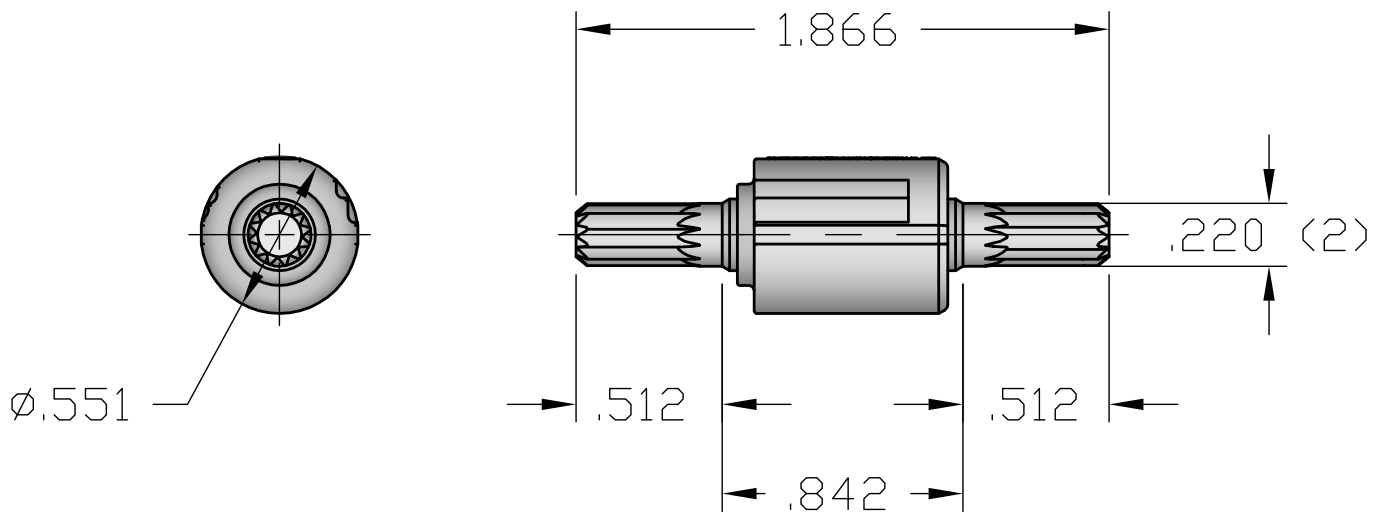
Plain

Mounting Style

Designed to be insert molded into
25-30% glass filled Nylon

Materials

Zinc Die Cast Housing
Hardened Steel Shaft
Hardened Steel Torque Clips
Zinc Die Cast Bushings
Mineral Oil Based Lubricant



8822 W. 47th Street
P.O. Box 149
Brookfield, IL 60513

800-631-2600 / 708-485-3400 / FAX 708-485-0058 / www.stocker.com
Bulletin TJ0607.R0 Specifications and contents subject to change without notice.

E.R. Wagner
STOCKER HINGES Manufacturing Co.