

TD Series

CONSTANT TORQUE HINGE



REELLTORQ®

Stocker's TD Series hinge is perfect for computer peripherals, flat screen monitors and enclosures and has a full 360° rotation. This hinge is designed to provide a smooth feel of quality and consistent torques of 1.68 - 5.22 lb-in (0.19 - 0.59 N-m) are available to meet many of your needs.

Applications

- Office Equipment
- Medical Cabinets
- Computer Peripherals
- Access Panels
- Flat Screen Monitors
- Store Fixtures

Design Characteristics

● Hinge Functions

The TD Series hinge is designed to provide constant torque throughout its full range of motion. It is ideally suited to applications requiring the ability to hold an object at various positions.

● Environment

The TD Series hinge was designed for indoor use and has minimal corrosion resistance.

● Performance

- Torque tolerance $\pm 15\%$ of nominal
- Springback typically $< 1^\circ$ each direction.
- Life of 25,000 cycles at speeds less than 100 rpm
- Ambient temperature range from -30°C (-22°F) to 60°C (140°F)

TD Series

CONSTANT TORQUE HINGE

Torque

1.68; 2.57; 3.54; 4.34; 5.22 lb-in
0.19; 0.29; 0.40; 0.49; 0.59 N-m

Finish

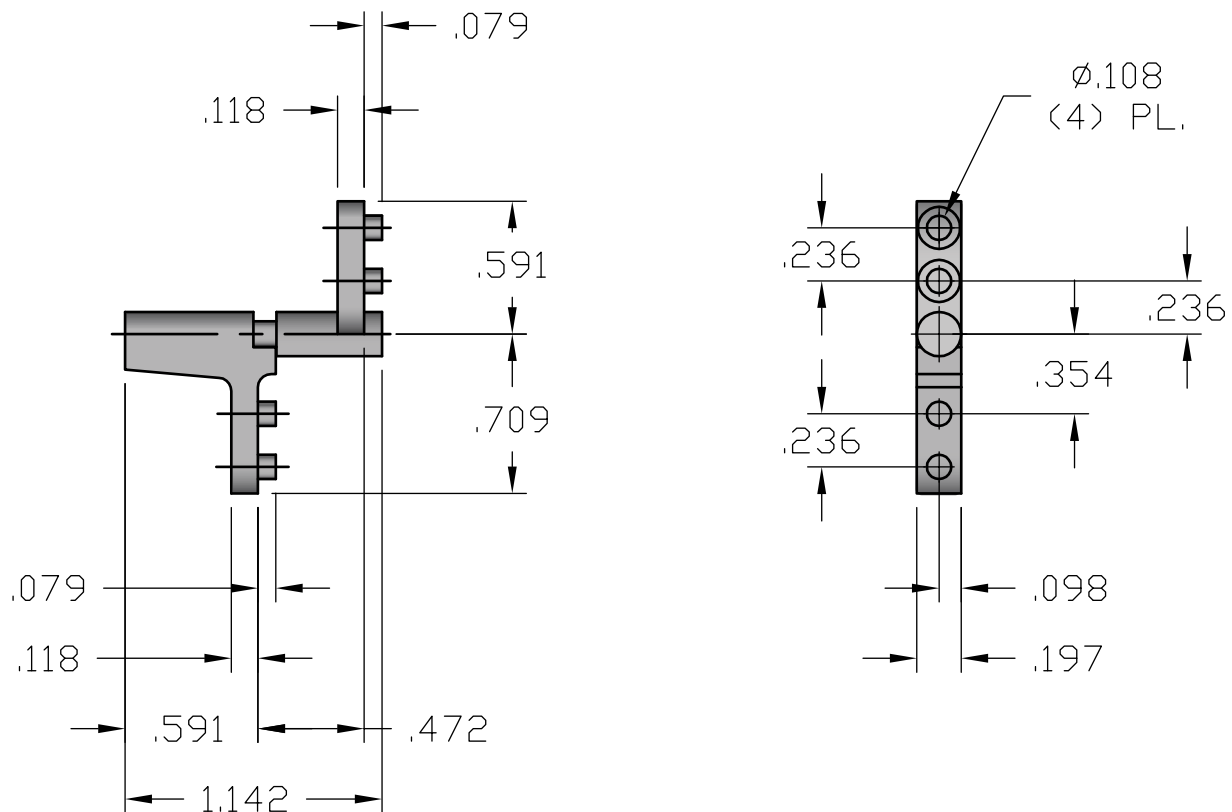
Plain

Mounting Style

Rivet-mount

Materials

Zinc Die Cast Housings
Hardened Steel Shaft
Hardened Steel Torque Clips
Mineral Oil Based Lubricant



8822 W. 47th Street
P.O. Box 149
Brookfield, IL 60513

800-631-2600 / 708-485-3400 / FAX 708-485-0058 / www.stocker.com
Bulletin TD0607.R0 Specifications and contents subject to change without notice.

E.R. Wagner
STOCKER HINGES Manufacturing Co.