

PB Series

CONSTANT  
TORQUE  
HINGE

REELLTORQ®



Stocker's PB Series hinge is perfect for your larger applications, has a full 360° rotation and is designed for long life. This hinge is designed to provide a smooth feel of quality and consistent torques of 13.28 - 48.68 lb-in (1.50 - 5.50 N-m) are available to meet many of your needs.

**Applications**

- Office Equipment
- Medical Cabinets
- Computer Peripherals
- Access Panels
- Industrial Enclosures
- Equipment Guards
- Toolboxes
- Store Fixtures

**Design Characteristics**

● **Hinge Functions**

The PB Series hinge is designed to provide constant torque throughout its full range of motion. It is ideally suited to applications requiring the ability to hold an object at various positions.

● **Environment**

The PB Series hinge was designed to have corrosion resistance. Along with reducing the amount of springback, the housing improves the appearance of the hinge and protects the clip/shaft from harsh environments. O-ring seals provide additional internal contamination protection from moisture, detergents and solvents.

● **Performance**

- Torque tolerance  $\pm 20\%$  of nominal in high torque direction (clockwise or counterclockwise)
- In low torque direction, 65% of nominal with a tolerance of  $\pm 30\%$
- Springback typically  $< 1^\circ$  each direction
- Life of 20,000 cycles at speeds less than 100 rpm
- Ambient temperature range from  $-30^\circ\text{C}$  ( $-22^\circ\text{F}$ ) to  $60^\circ\text{C}$  ( $140^\circ\text{F}$ )

## PB Series

### CONSTANT TORQUE HINGE

#### Torque

13.28; 22.13; 30.98 39.83; 48.68 lb-in  
1.50; 2.50; 3.50; 4.50; 5.50 N-m

#### Finishes

Plain, black

#### Mounting Style

Straight-through holes standard  
Countersunk holes standard on 90°  
elbows only  
Left, right or dual shaft end(s)  
Straight or 90° elbow shaft end(s)

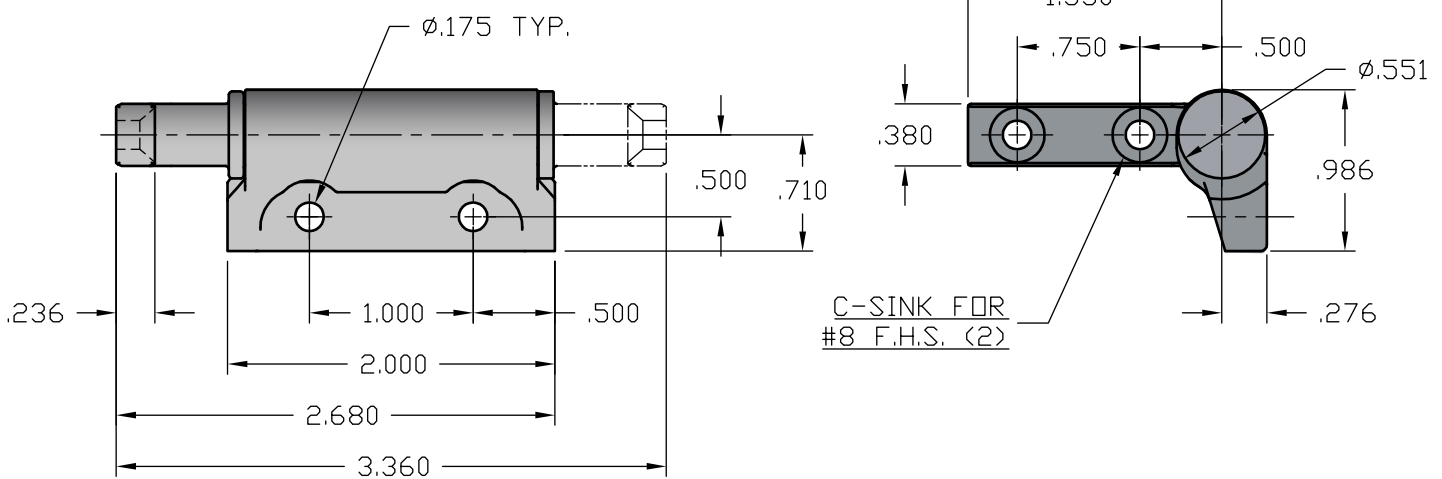
#### Materials

Zinc Die Cast Housings  
Zinc Plated Steel Straight End Shaft(s)  
Zinc Die Cast 90° Elbow End Shaft(s)  
Hardened Steel Shaft  
Hardened Steel Torque Clips  
Buna-N O-Rings  
Mineral Oil Based Lubricant

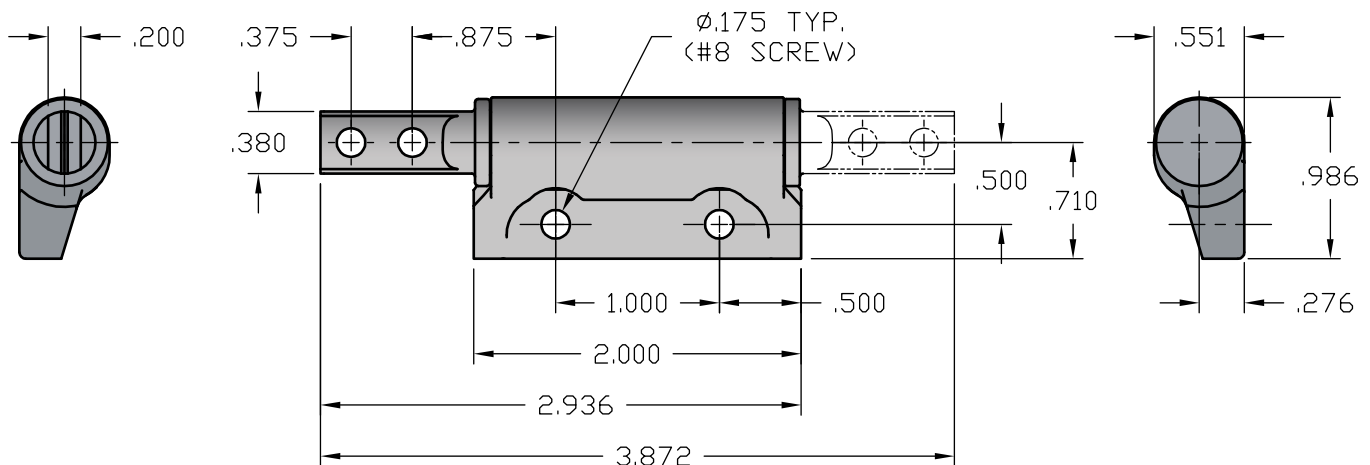
#### Recommended Screw Size

No. 8 screws or equivalent  
(Screws not included)

#### 90° Elbow end shafts



#### Straight end shafts



**Note:** Mounting hinge out of axial alignment may cause premature hinge failure.

8822 W. 47th Street  
P.O. Box 149  
Brookfield, IL 60513

800-631-2600 / 708-485-3400 / FAX 708-485-0058 / www.stocker.com  
Bulletin PB0607.R0 Specifications and contents subject to change without notice.

**E.R. Wagner**  
STOCKER HINGES Manufacturing Co.